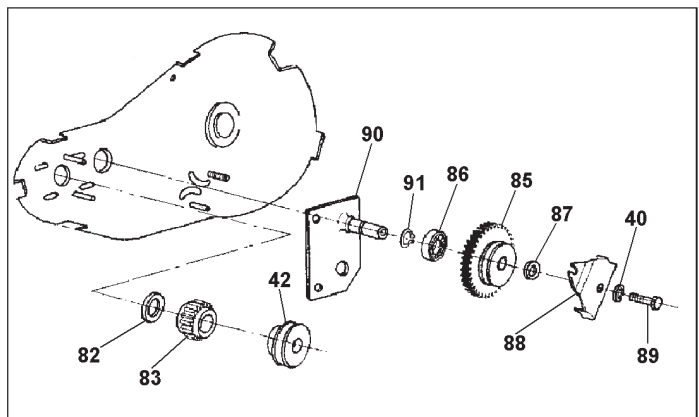
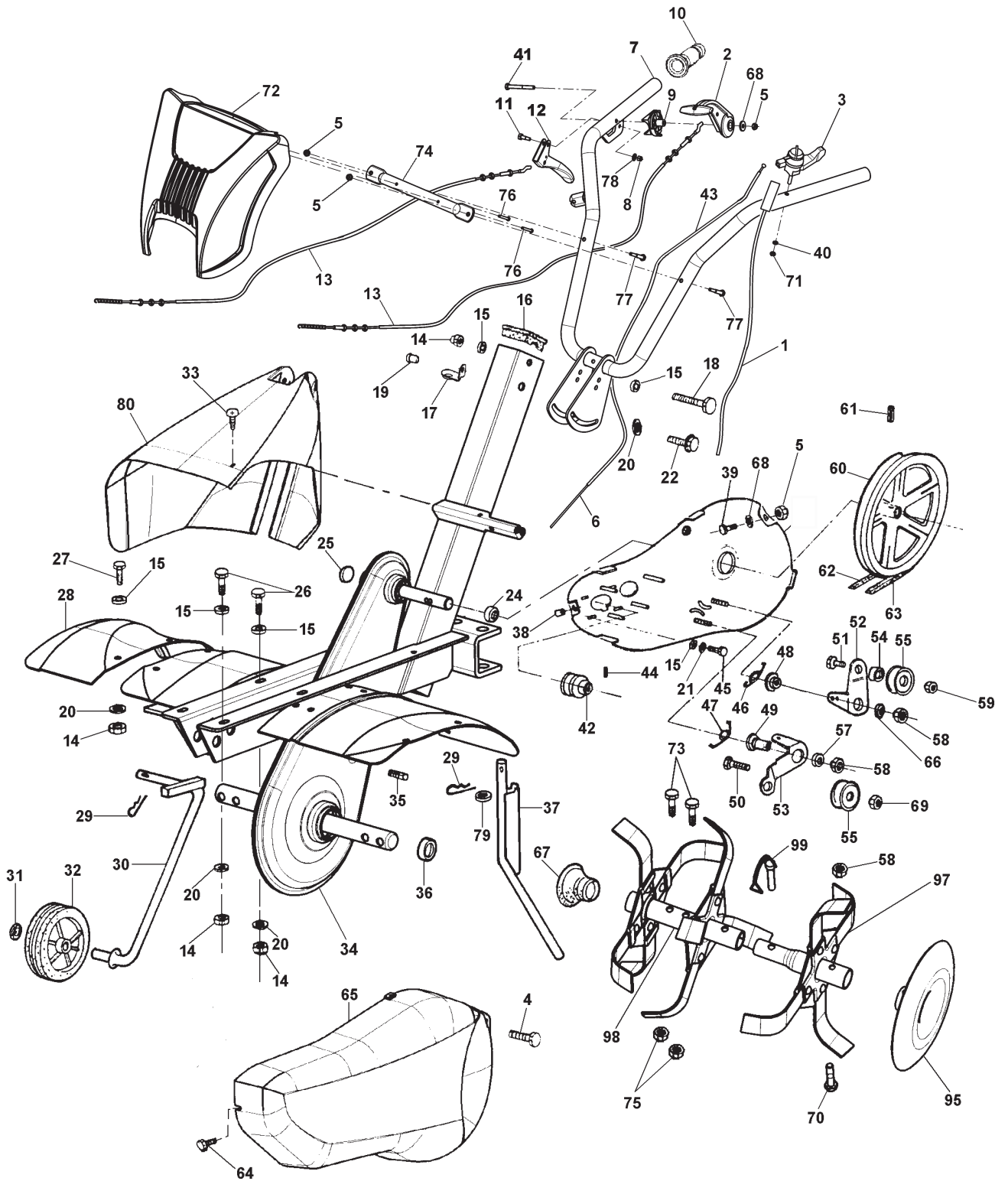


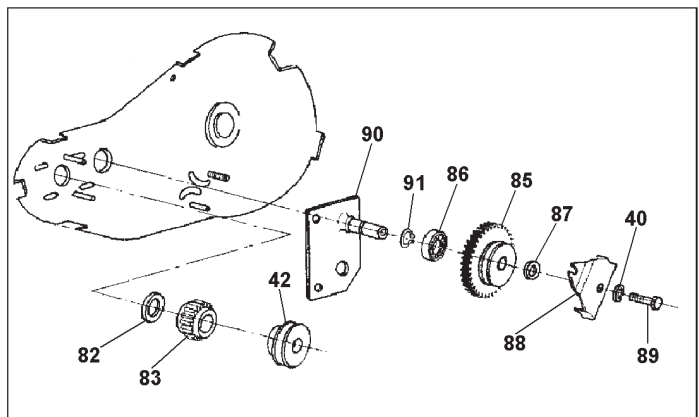
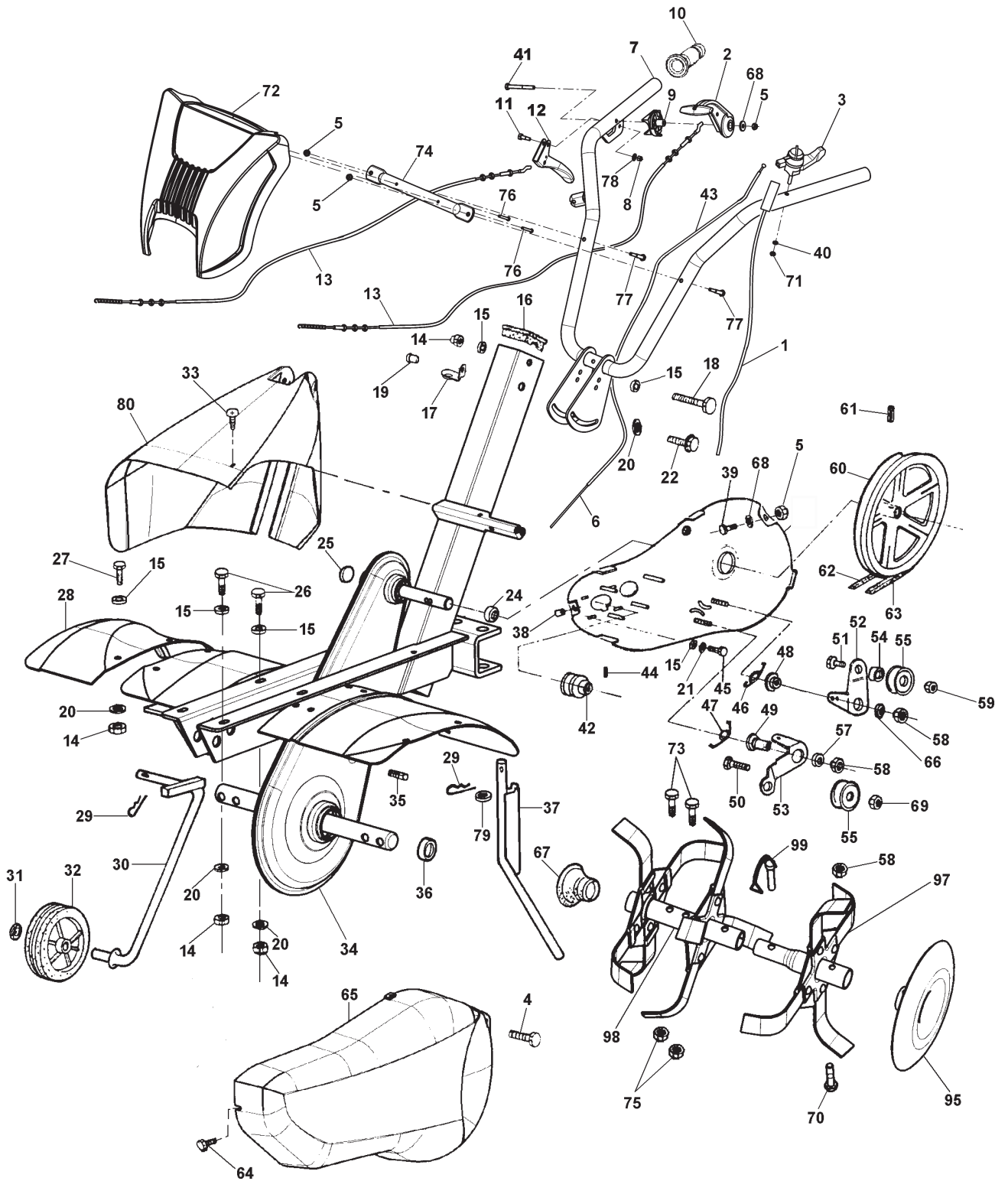
# Genuine Spare Parts

---





Utgåva Issue		Bildnr Picture No		SILEX 75R- HX JORDFRÄS		SILEX 75R- HX TILLER		Sida Page	
2008- 12		2518						240	
Pos. Fig.	Antal/Quantity				Art nr Part No	Benämning	Description	Sats Kit	Anmärkning Notes
	3134 -11								
X	1	1			1483-2211-01	Stoppkabel.....	Stop wire.....		
	2	1			1483-2017-01	Kopplingshandtag- back .....	Clutch lever- reverse .....		
X	3	1			1483-2278-01	Gasreglage/brytare .....	Throttle lever/switch .....		
	4	1			9959-0616-16	Skruv .....	Screw.....		
	5	4			9747-0631-02	Låsmutter .....	Lock nut.....		
X	6	1			1483-2296-01	Gaswire- inre .....	Throttle cable- inner .....		
X	7	1			1483-2163-01	Styre- överdel .....	Handlebar- upper .....		
	8	1			9747-0531-02	Mutter.....	Nut.....		
	9	1			1483-2018-01	Stöd.....	Reverse lever support.....		
X	10	2			1483-2079-01	Handtagsgrepp .....	Handgrip .....		
	11	1			1483-2005-01	Skruv .....	Screw.....		
	12	1			1483-2008-01	Kopplingshandtag.....	Clutch handle .....		
X	13	2			1483-2162-01	Reglagewire.....	Control cable.....		
	14	9			9747-0831-02	Mutter.....	Lock nut.....		
	15	16			9699-0028-02	Planbricka.....	Flat washer.....		
X	16	1			1483-2166-01	Lock.....	Cap.....		
	17	4			1483-2021-01	Vinkelfäste .....	Wire support plate .....		
	18	1			9997-0865-12	Skruv .....	Screw.....		
X	19	2			1483-2191-01	Mutter.....	Nut.....		
	20	9			9699-0122-02	Bricka .....	Washer.....		
	21	1			9699-0028-02	Planbricka.....	Flat washer.....		
	22	2			9959-0825-16	Skruv .....	Screw.....		
X	24	1			1483-2187-01	Tätningring .....	Seal ring.....		
X	25	1			1483-2186-01	Lock.....	Cap.....		
	26	4			9997-0840-16	Skruv .....	Screw.....		
	27	4			9997-0820-16	Skruv .....	Screw.....		
X	28	1			1483-2171-01	Skyddsplåt- hö, gul.....	Guard plate- RH, yello .....		
X	28	1			1483-2171-02	Skyddsplåt- hö, röd .....	Guard plate- RH, red .....		
X	28	1			1483-2172-01	Skyddsplåt- vä, gul .....	Guard plate- LH, yello.....		
X	28	1			1483-2172-02	Skyddsplåt- vä, röd.....	Guard plate- LH, red.....		
	29	2			9598-0002-02	Låsnål.....	Pin lock.....		
X	30	1			1483-2168-01	Stödhjulsfäste.....	Support wheel brkt.....		
X	31	1			1483-2195-01	Låsbricka.....	Lock washer.....		
X	32	1			1483-2112-01	Stödhjul.....	Support wheel.....		
	33	1			9943-0625-16	Skruv .....	Screw.....		
X	34	1			1483-2156-01	Växelhus kpl- gul .....	Gear housing- yellow.....		
X	34	1			1483-2156-02	Växelhus kpl- röd .....	Gear housing- red .....		
	35	1			1483-2075-01	Lock.....	Cap.....		
	36	2			1483-2070-01	Tätningring .....	Seal ring.....		
X	37	1			1483-2167-01	Bromssporre .....	Depth skid.....		
X	38	1			1483-2190-01	Mutter.....	Nut.....		
	39	1			9997-0616-16	Skruv .....	Screw.....		
	40	1			9683-0025-02	Låsbricka .....	Lock washer.....		
	41	1			9997-0660-12	Skruv .....	Screw.....		
X	42	1			1483-2174-01	Remskiva.....	Belt pulley .....		
X	43	1			1483-2295-01	Gaswire- yttre .....	Throttle cable- outer .....		
	44	1			9915-0610-15	Stoppsskruv .....	Set screw .....		
	45	4			9987-5116-16	Skruv .....	Screw.....		
X	46	1			1483-2158-01	Fjäder.....	Spring .....		
X	47	1			1483-2157-01	Fjäder.....	Spring .....		
X	48	1			1483-2153-01	Distans .....	Spacer.....		
X	49	1			1483-2152-01	Distans .....	Spacer.....		
	50	1			1483-2076-01	Skruv .....	Screw.....		
X	51	1			9997-1235-16	Skruv .....	Screw.....		
X	52	1			1483-2154-01	Spännarm .....	Tension arm .....		
X	53	1			1483-2155-01	Spännarm .....	Tension arm .....		
X	54	1			1483-2151-01	Distans .....	Spacer.....		
	55	2			1483-2004-01	Spännrulle .....	Idler pulley .....		
	57	2			9699-0035-02	Planbricka.....	Flat washer.....		
	58	4			9747-1031-02	Låsmutter .....	Lock nut.....		
	59	1			9747-1231-02	Låsmutter .....	Lock nut.....		
X	60	1			1483-2150-01	Remskiva.....	Belt pulley .....		
X	61	1			9595-0277-01	Spännstift.....	Pin .....		



Utgåva Issue		Bildnr Picture No		SILEX 75R- HX JORDFRÄS		SILEX 75R- HX TILLER		Sida Page	
2008- 12		2518						242	
Pos. Fig.	Antal/Quantity				Art nr Part No	Benämning	Description	Sats Kit	Anmärkning Notes
	3134 -11								
X	62	1			1483-2141-01	Drivrem .....	Drive belt.....		
X	63	1			1483-2149-01	Drivrem .....	Drive belt.....		
X	64	1			9959-0616-16	Skruv .....	Screw.....		
X	65	1			1483-2159-01	Remskydd .....	Belt guard .....		
X	66	1			1483-2020-01	Distans .....	Spacer.....		
X	67	2			1483-2173-01	Dammskydd .....	Dust cover.....		
X	68	2			9699-0100-02	Bricka .....	Washer.....		
X	69	1			1483-2193-01	Mutter.....	Nut.....		
X	70	2			9997-1050-16	Skruv .....	Screw.....		
X	71	1			9747-0631-02	Låsmutter .....	Lock nut.....		
X	72	1			1483-2182-01	Panel- gul.....	Panel- yellow.....		
X	72	1			1483-2182-02	Panel- röd.....	Panel- red.....		
X	73	4			9997-1050-16	Skruv.....	Screw.....		
X	74	1			1483-2180-01	Panelstag.....	Panel bracket .....		
X	75	4			9747-1031-02	Låsmutter .....	Lock nut.....		
X	76	2			1483-2200-01	Skruv.....	Screw.....		
X	77	2			9997-0635-12	Skruv.....	Screw.....		
X	78	1			9699-0025-02	Planbricka.....	Washer.....		
X	79	1			9699-0104-02	Bricka .....	Washer.....		
X	80	1			1483-2160-01	Kåpa- gul .....	Cover- yellow .....		
X	80	1			1483-2160-02	Kåpa- röd .....	Cover- red .....		
X	82	1			1483-2117-01	Distans .....	Spacer.....		
X	83	1			1483-2176-01	Kuggjul .....	Toothed wheel.....		
X	85	1			1483-2175-01	Kuggjul .....	Toothed wheel.....		
X	86	1			9549-0001-00	Kullager .....	Ball bearing .....		
X	87	1			1483-2145-01	Distans .....	Spacer.....		
X	88	1			1483-2147-01	Fäste.....	Bracket.....		
X	89	1			9997-0612-16	Skruv.....	Screw.....		
X	90	1			1483-2146-01	Monteringsplatta .....	Mounting plate.....		
X	91	1			9650-0012-04	Seegersäkring.....	Circlip.....		
X	95	2			1483-2022-01	Sidotallrik .....	Side disc .....		
X	97	1			1483-2169-01	Rotor kpl- yttre, hö .....	Tine assy- outer, RH .....		
X	97	1			1483-2170-01	Rotor kpl- yttre, vä .....	Tine assy- outer, LH .....		
X	98	1			1483-2023-01	Rotor kpl- hö.....	Tine assy- RH.....		
X	98	1			1483-2024-01	Rotor kpl- vä.....	Tine assy- LH.....		
X	99	2			1483-2196-01	Låssprint .....	Pin .....		